

3D PDF DATASHEET



 eCATALOG solutions




 BIM catalogs.net




 PART solutions



Create Your Individual 3D PDF Datasheet 

Learn How to Create Your Mechanical Product Catalog 

Learn How to Create Your BIM Product Catalog 

Reduce Your Costs in Engineering and Purchasing 

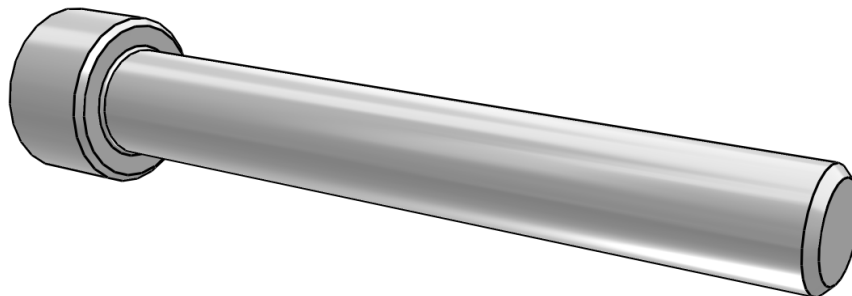


4762A41007088(1)

Hexagon Socket Head Cap Screw ISO 4762

3D View

To activate the interactive 3D view, you must trust this document (see hint on the top) in Adobe Acrobat and click on the question mark.



Zoom

Moves you toward or away from objects in the scene when you drag vertically. You can also zoom with the hand tool by holding down Shift as you drag.

Pan

Moves the model vertically and horizontally only. You can also pan with the hand tool: Ctrl-drag.

Rotate

Turns 3D objects around relative to the screen. How the objects move depends on the starting view, where you start dragging and the direction in which you drag.



Create Your Individual 3D PDF Datasheet



Learn How to Create Your Mechanical Product Catalog



Learn How to Create Your BIM Product Catalog



Reduce Your Costs in Engineering and Purchasing

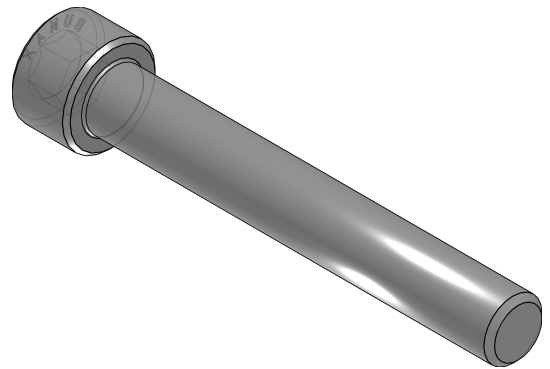
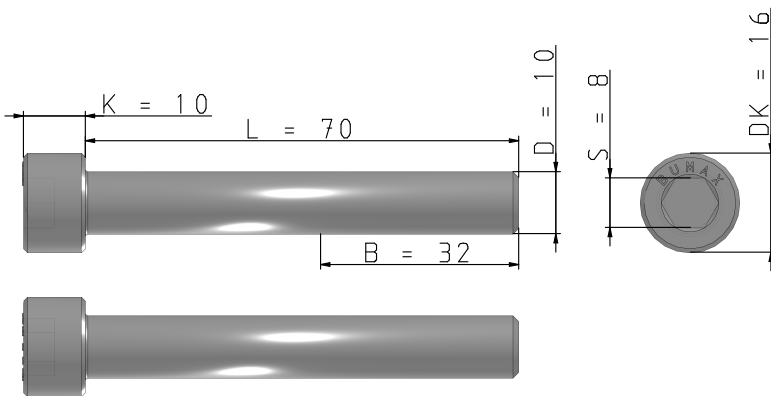


4762A41007088(1)

Hexagon Socket Head Cap Screw ISO 4762

2D derivation

ISO View





eCATALOGsolutions



BIM catalogs.net



PARTsolutions



Create Your Individual 3D PDF Datasheet



Learn How to Create Your Mechanical Product Catalog



Learn How to Create Your BIM Product Catalog



Reduce Your Costs in Engineering and Purchasing

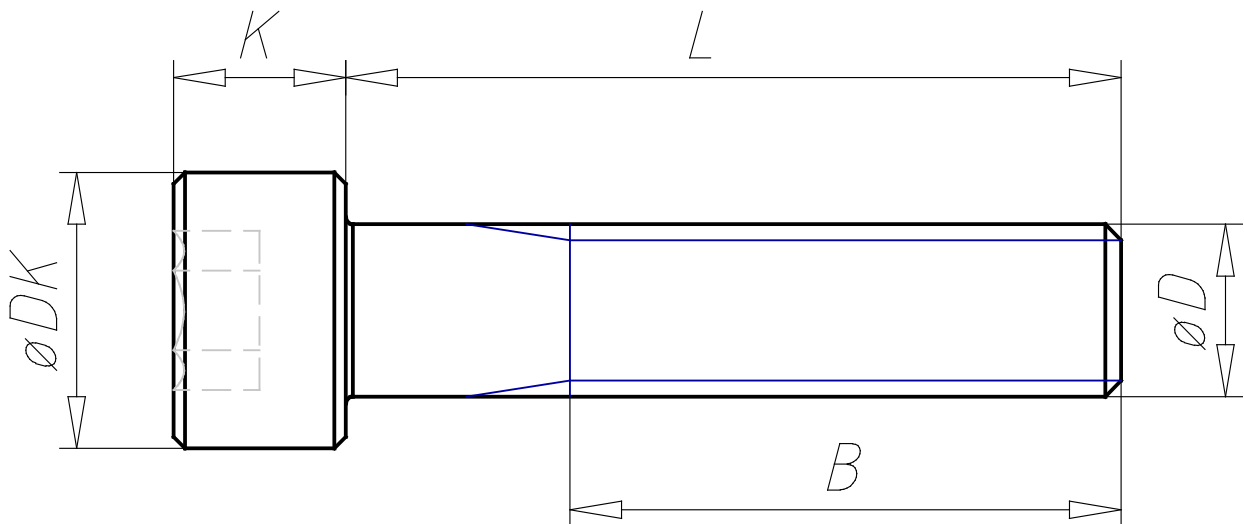


BUMAX[®]

4762A41007088(1)

Hexagon Socket Head Cap Screw ISO 4762

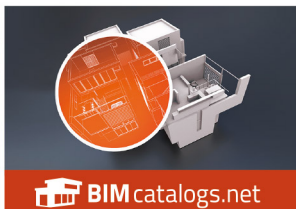
Technical drawings



3D PDF DATASHEET



 eCATALOG solutions




 BIM catalogs.net



 PART solutions



Create Your Individual 3D PDF Datasheet 

Learn How to Create Your Mechanical Product Catalog 

Learn How to Create Your BIM Product Catalog 

Reduce Your Costs in Engineering and Purchasing 

BUMAX[®]

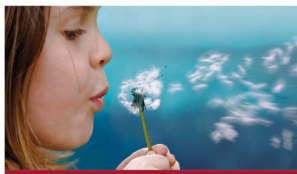
4762A41007088(1)

Hexagon Socket Head Cap Screw ISO 4762

Technical Data

PARTNUMBER (Part number)	4762A41007088
DES (Description)	ISO4762 A4 M10X70 BUMAX 88
LOD (Level of Detail)	high
D (Diameter / mm)	10
L (Length / mm)	70
P (Pitch / mm)	1.5
DK (Head diameter, max / mm)	16
K (Head thickness / mm)	10
S (Width across flat / mm)	8
B (Thread length / mm)	32
W (Weight per 100 units / kg)	5.2
R (Radius under head, min / mm)	0.4
LS (Shank length, min / mm)	32
LG (Shank length, max / mm)	38
T (Recess depth, min / mm)	5
STANDARD (Standard)	ISO 4762
INFOWWW (Web Link)	Web link
INFOWWWPDF (PDF Web Link)	PDF Web Link
TS (Tensile strength / MPa)	min 800
YS (Yield strength / MPa)	min 640
SG (Steel grade)	316L High Mo (EN 1.4432, 1.4436, 1.4435)
DIS (Disclaimer)	Information provided is believed to be correct and to the best knowledge of BUMAX at time of publication. Dimension data provided is intended for basic reference purposes only. For detailed dimension data, please refer to the relevant ISO/DIN/ASME/ASTM standard. Responsibility for safe and correct use of BUMAX products in any given application lies with the end user. For any technical support and further product information, please contact BUMAX's technical department or your local BUMAX technical representative.

3D PDF DATASHEET



 eCATALOG solutions




 BIM catalogs.net




 PART solutions



Create Your Individual 3D PDF Datasheet 

Learn How to Create Your Mechanical Product Catalog 

Learn How to Create Your BIM Product Catalog 

Reduce Your Costs in Engineering and Purchasing 



4762A41007088(1)

Hexagon Socket Head Cap Screw ISO 4762

Bill of Materials

N°	Description	Amount
1.1	BUMAX 4762A41007088	1